

CITY OF PUNTA GORDA

DONORS PLAZA

SEC.06 TWN 41 RNG 23

PROJECT
LOCATION



CITY OF PUNTA GORDA
PUBLIC WORKS DEPARTMENT
ENGINEERING DIVISION
3130 COOPER ST.
PUNTA GORDA, FLORIDA 33950
941-575-5050



CITY COUNCIL:
RACHEL KEESLING, MAYOR
GARY WEIN, VICE MAYOR
JAH CUMMINGS
LYNN MATTHEWS
NANCY PRAFKE

CITY MANAGER:
HOWARD D. KUNIK

PUBLIC WORKS:
RICHARD C. KEENEY, Director
MARK GERING, PE, City Engineer

INDEX OF DRAWINGS	
TITLE	TITLE SHEET, INDEX OF DRAWINGS
2	AERIAL
3	DEMOLITION PLAN
4	PROPOSED IMPROVEMENTS / PLAN
5	SITE PLAN
6	FOUNDATION PLAN
7	DETAILS
8	DETAILS

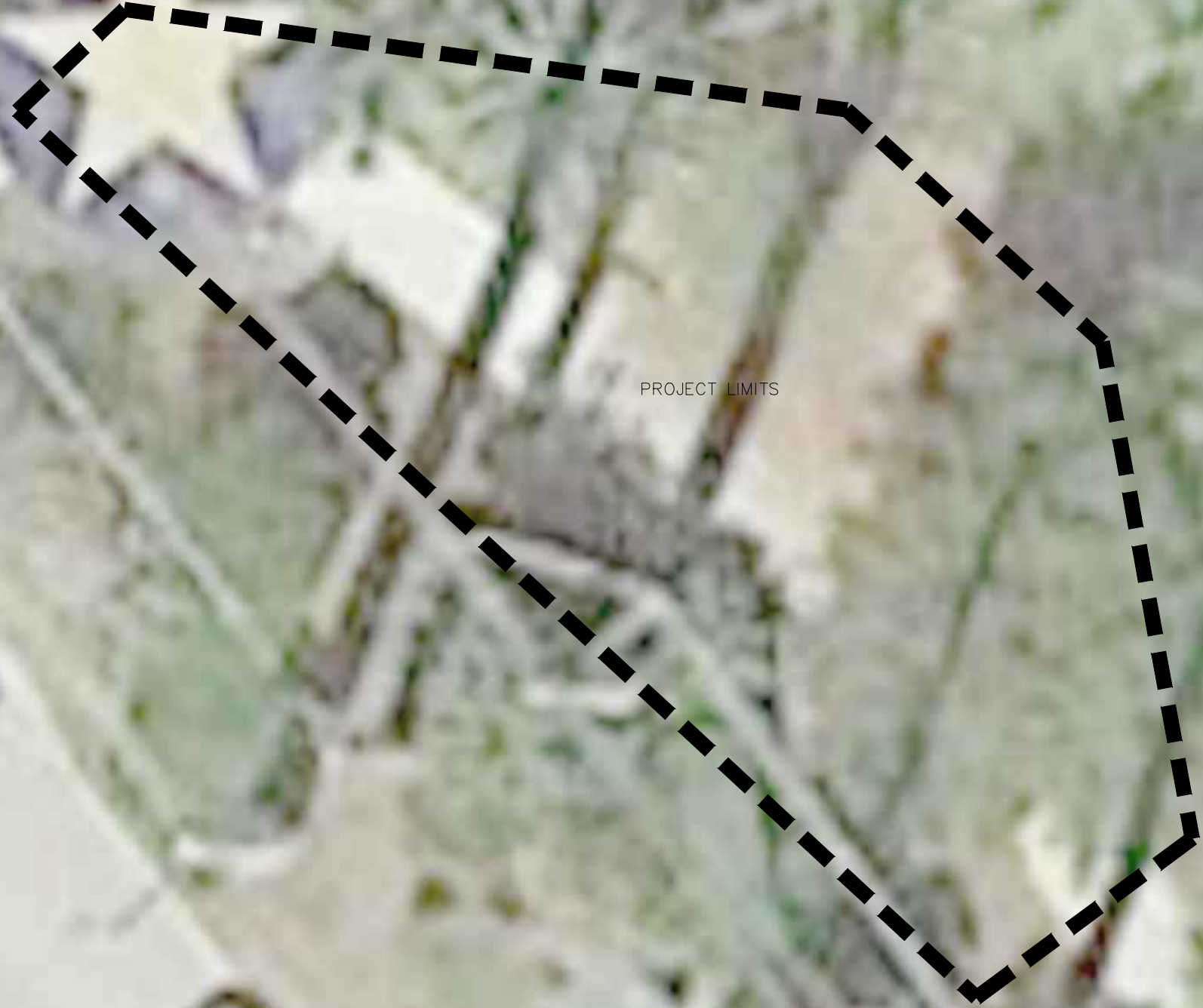


SCALE: 1"=10'

HARBORWALK DR.

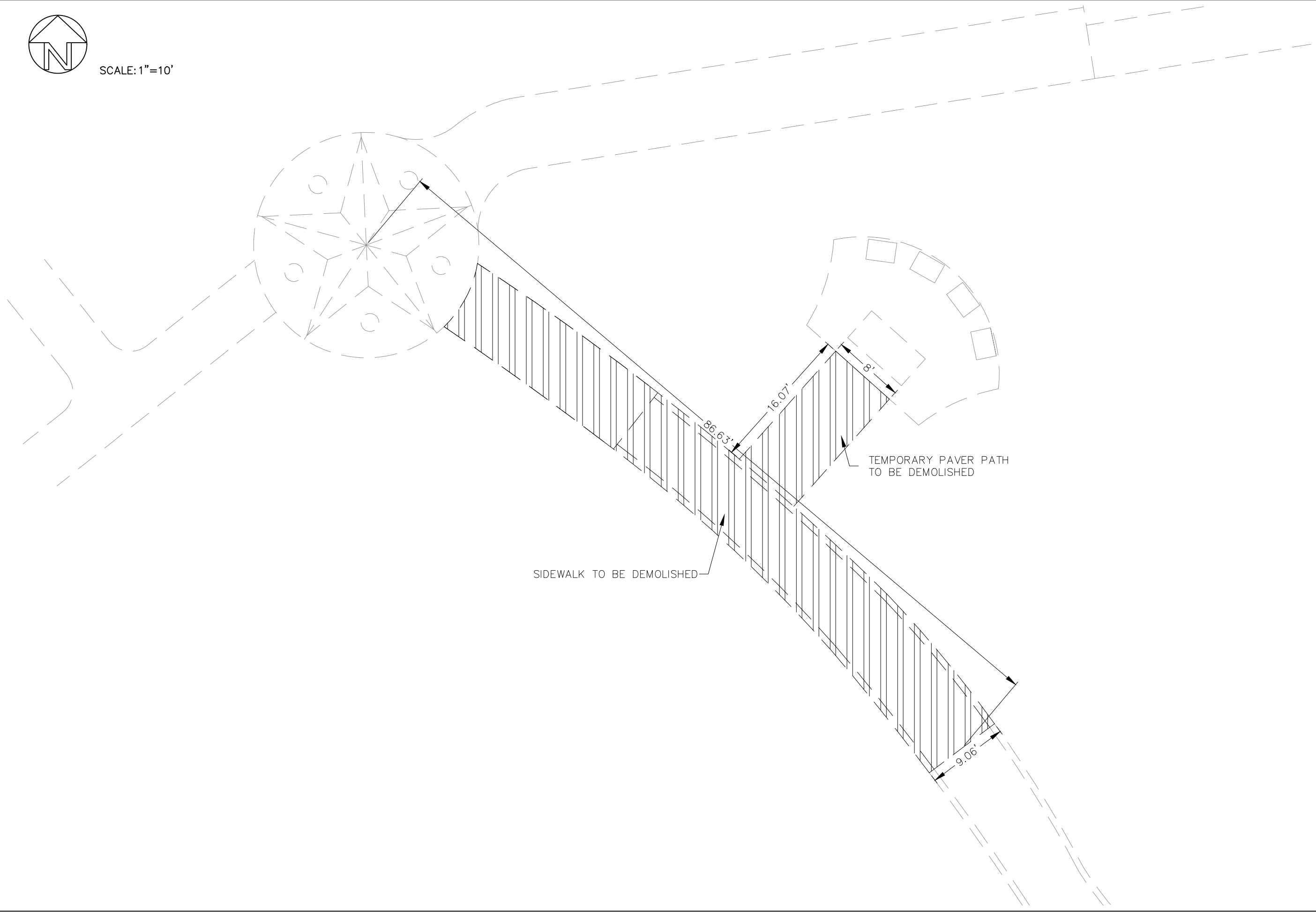
NESBIT ST.

PROJECT LIMITS





SCALE: 1"=10'



SIDEWALK TO BE DEMOLISHED

TEMPORARY PAVER PATH
TO BE DEMOLISHED

86.63'

16.07'

8'

9.06'

SHEET

3

MARK W. GERING, PE
Florida Registration No. 52637
Date: 7.11.18

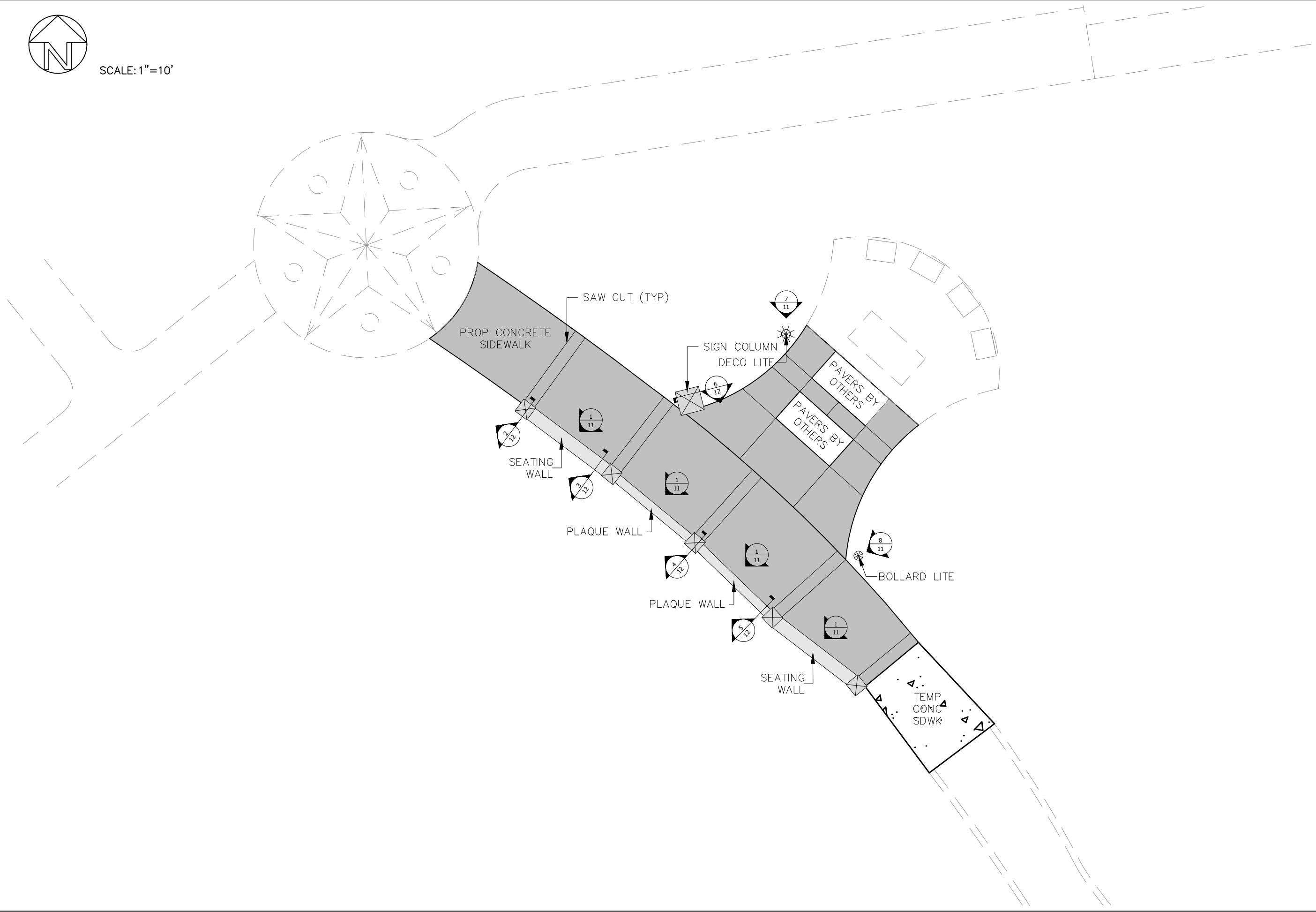
DEMOLITION PLAN

SCALE: 1"=10'
DRAWN BY: MK
DATE: 8.21.18

City of PUNTA GORDA, Florida
3130 Cooper Street, 33950
ENGINEERING DEPT 575.5050



SCALE: 1"=10'



J:\008 Engineering\Drawings\VeteransPlaza\prop plaza\plaza const set\InHouse DonorPlaza8.6.18.dwg

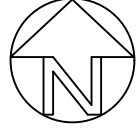
SCALE:	1"=10'
DRAWN BY:	MK
DATE:	8.21.18

IMPROVEMENTS

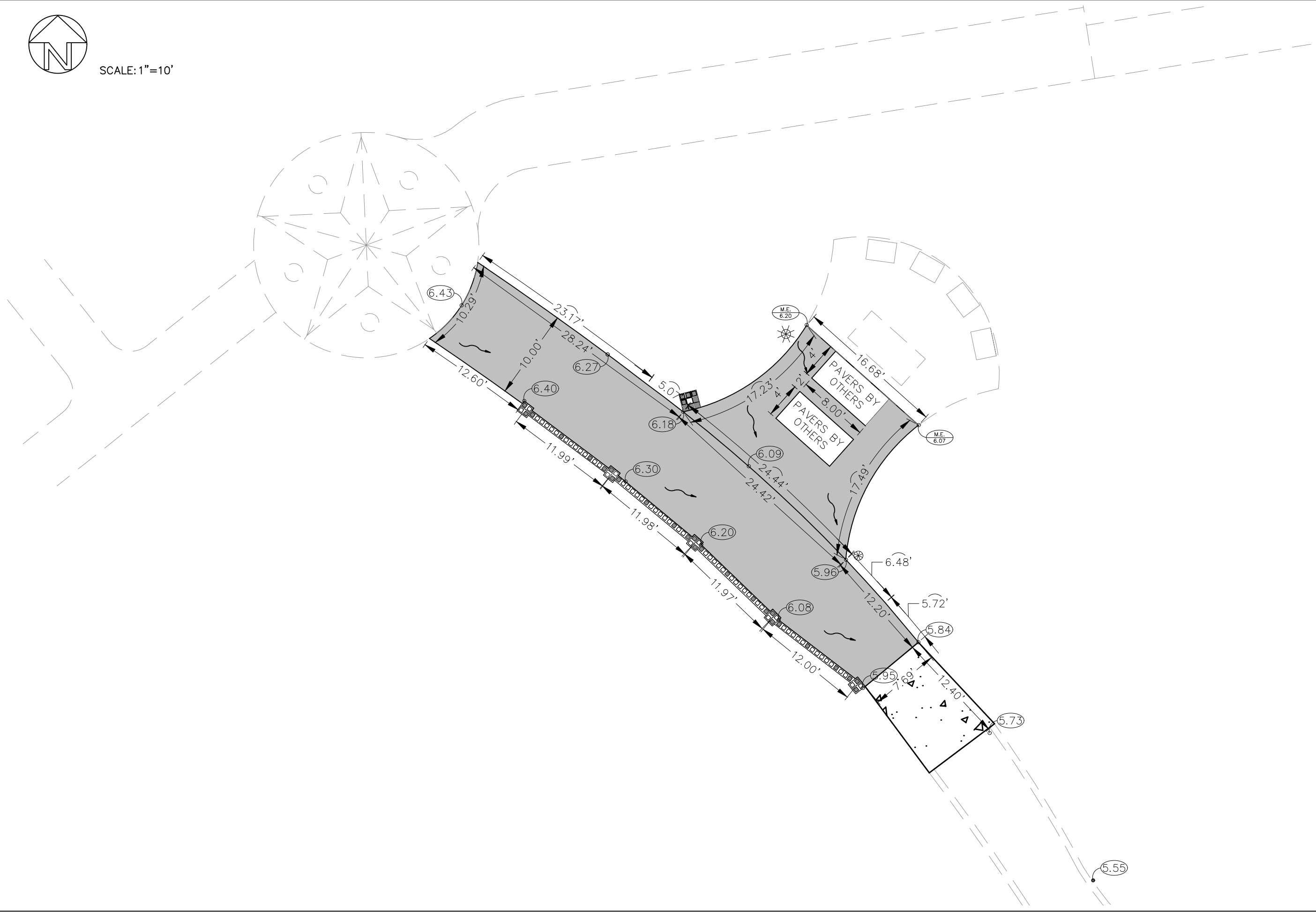
MARK W. GERING, PE
 Florida Registration No. 52637
 Date: 7.11.18

SHEET
4

City of PUNTA GORDA, Florida
 3130 Cooper Street, 33950
 ENGINEERING DEPT 575.5050



SCALE: 1"=10'



J:\008 Engineering\Drawings\VeteransPlaza\prop plaza\plaza const set\House DonorPlaza8.6.18.dwg

SHEET

5

MARK W. GERING, PE
Florida Registration No. 52637
Date: 7.11.18

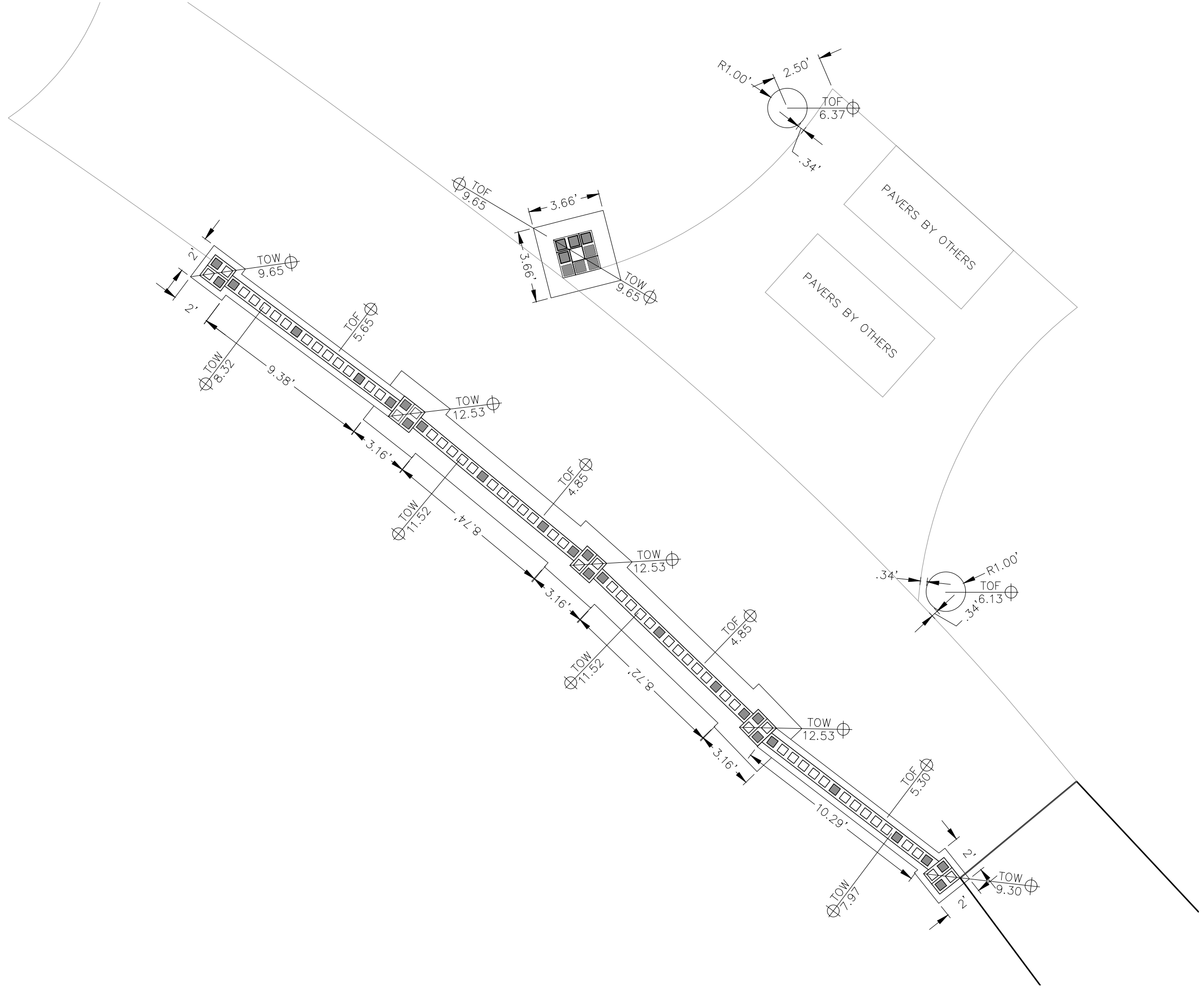
SITE PLAN

SCALE: 1"=10'
DRAWN BY: MK
DATE: 8.21.18

City of PUNTA GORDA, Florida
3130 Cooper Street, 33950
ENGINEERING DEPT 575.5050



SCALE: 1"=10'



SHEET

6

MARK W. GERING, PE
Florida Registration No. 52637
Date: 7.11.18

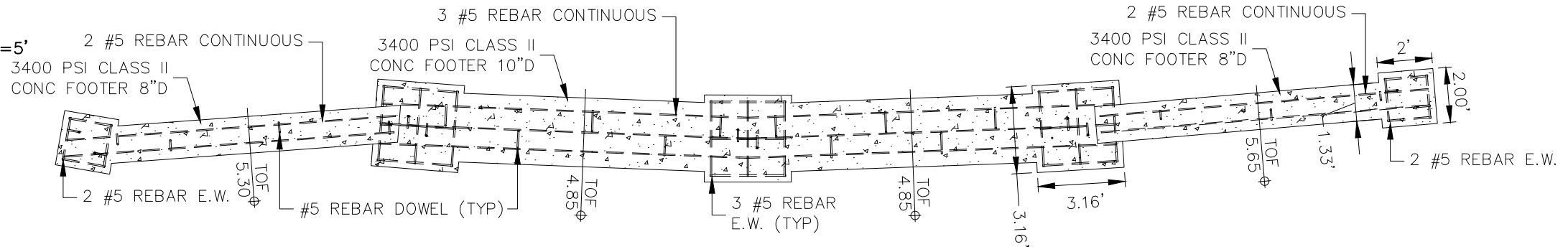
FOUNDATION PLAN

SCALE: 1"=10'
DRAWN BY: MK
DATE: 8.21.18

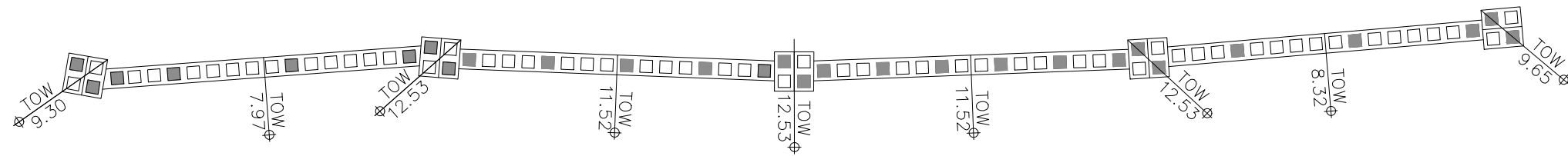
City of PUNTA GORDA, Florida
3130 Cooper Street, 33950
ENGINEERING DEPT 575.5050



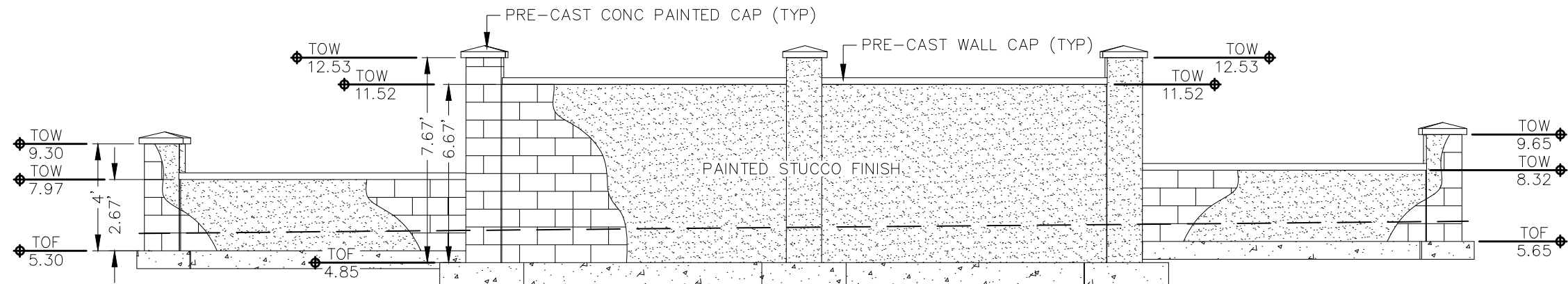
SCALE: 1"=5'



FOOTING DETAIL



WALL and COLUMN DETAIL



WALL and COLUMN DETAIL

1

City of PUNTA GORDA, Florida
3130 Cooper Street, 33950
ENGINEERING DEPT 575.5050

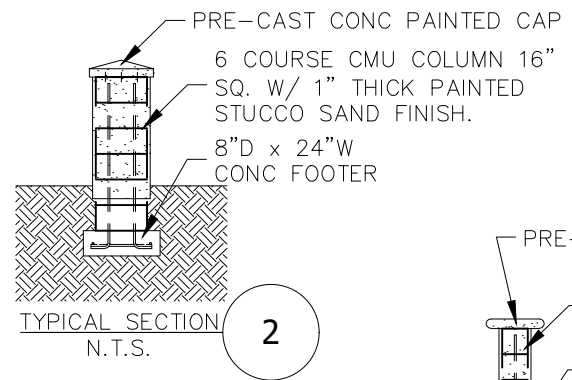
SCALE: 1"=5'
DRAWN BY: MK
DATE: 8.21.18

CONSTRUCTION
DETAILS

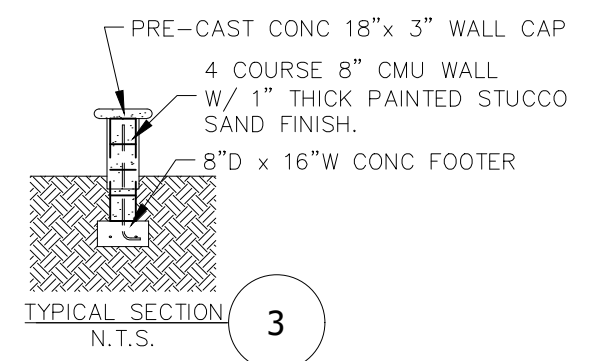
MARK W. GERING, PE
Florida Registration No. 52637
Date: 7.11.18

SHEET

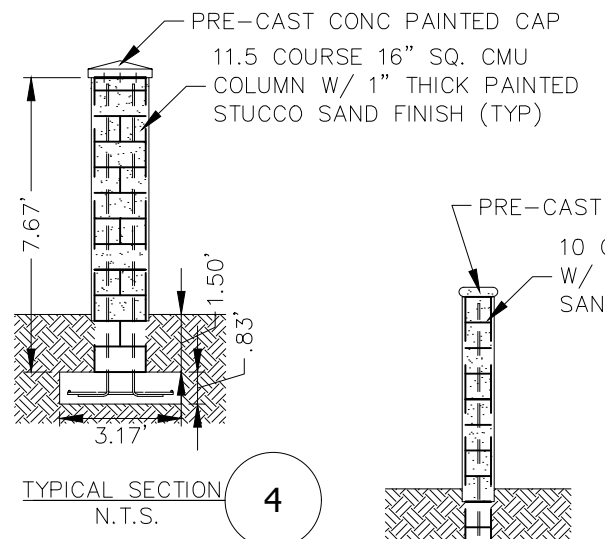
7



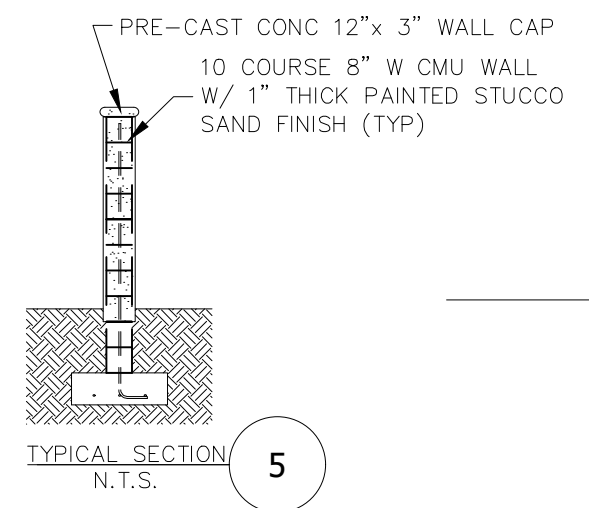
2



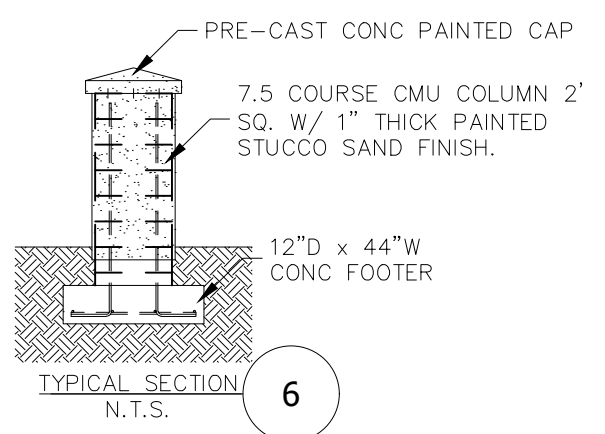
3



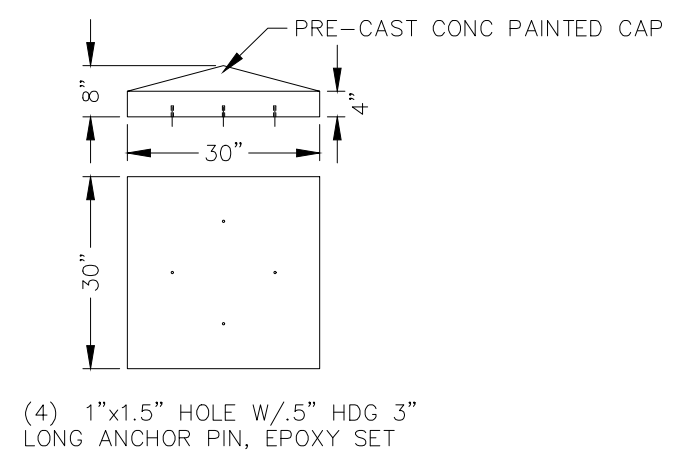
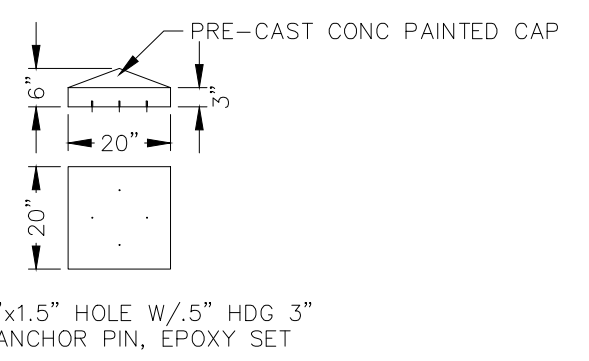
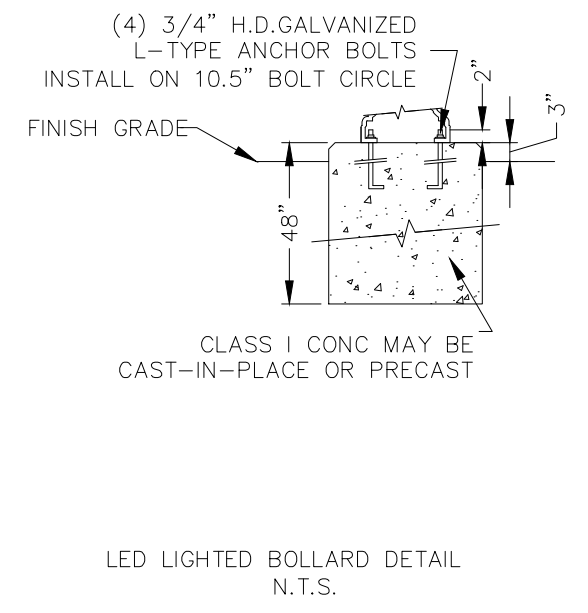
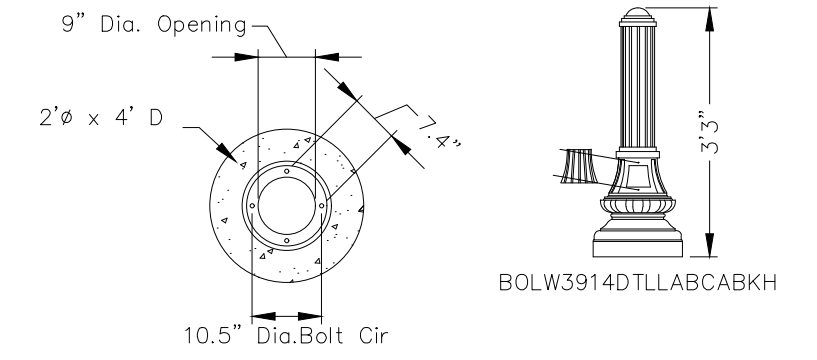
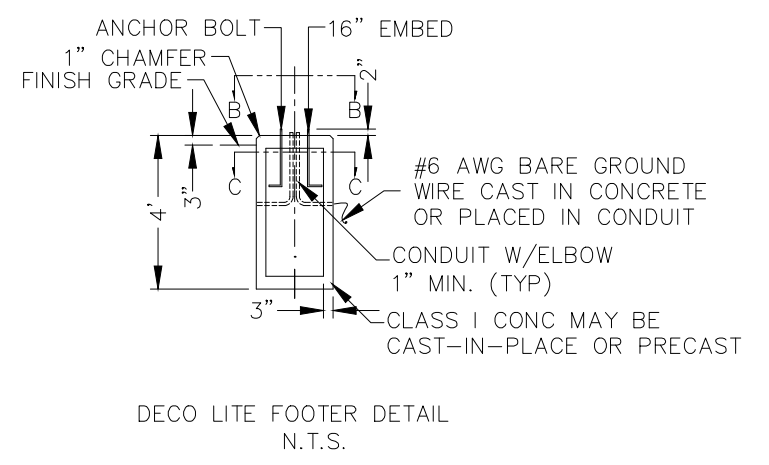
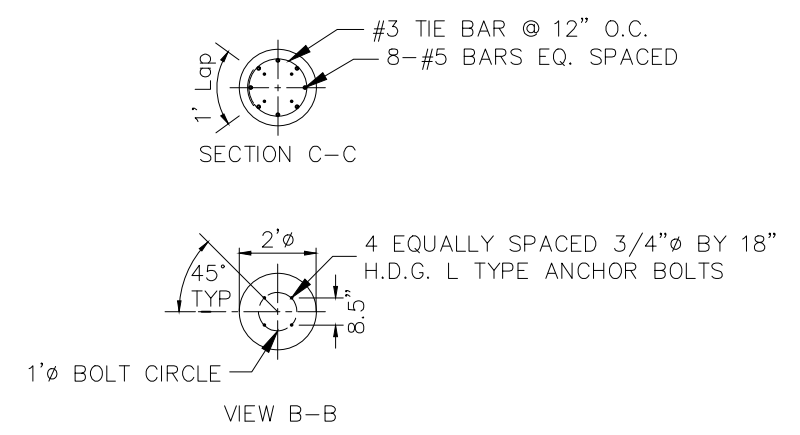
4



5



6



City of PUNTA GORDA, Florida 3130 Cooper Street, 33950 ENGINEERING DEPT 575.5050	
SCALE: AS SHOWN	DATE: 8.21.18
DRAWN BY: MK	
CONSTRUCTION DETAILS	
MARK W. GERIG, PE Florida Registration No. 52637 Date: 7.11.18	
SHEET 08	